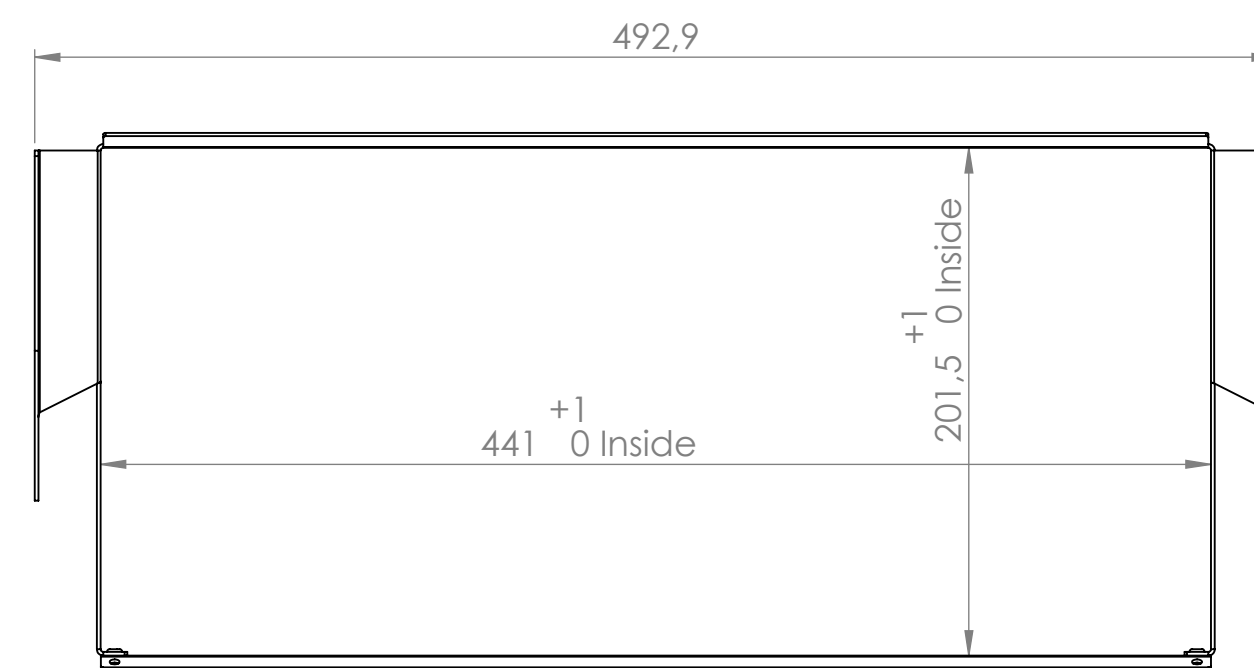
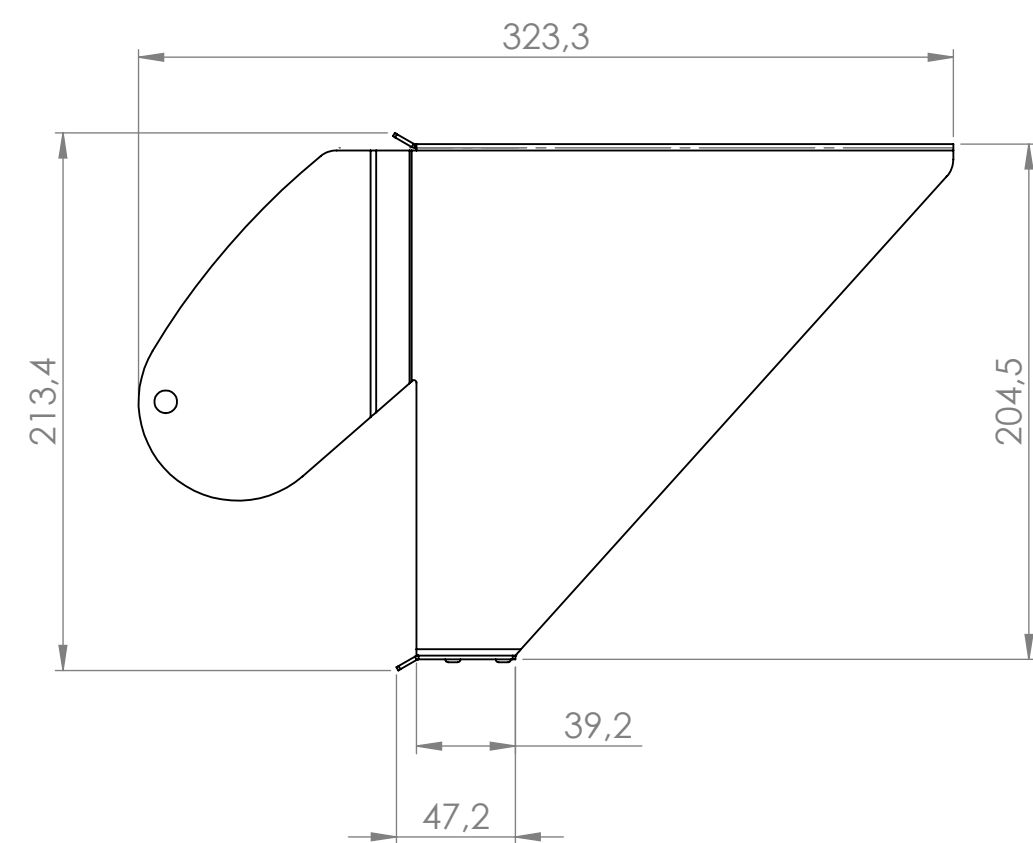
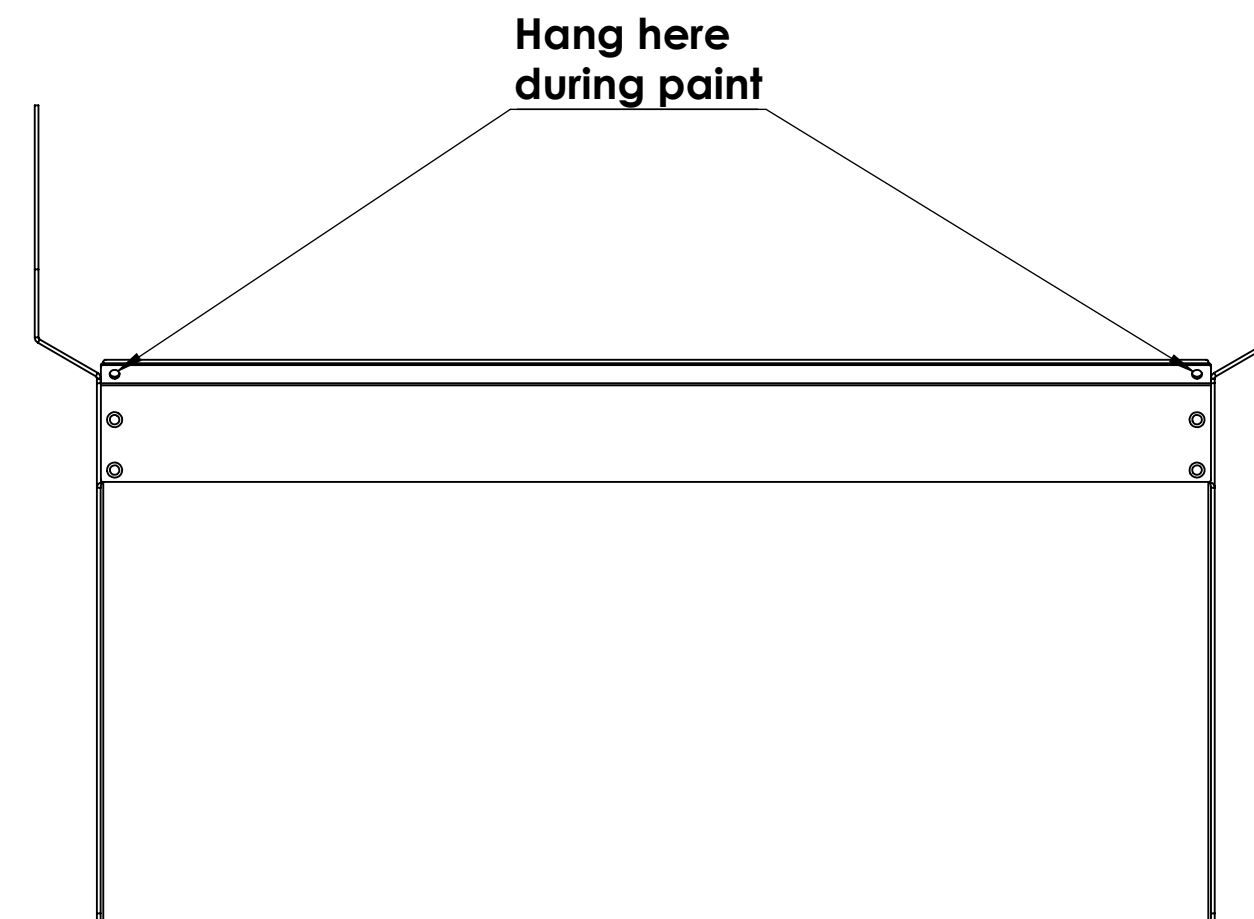
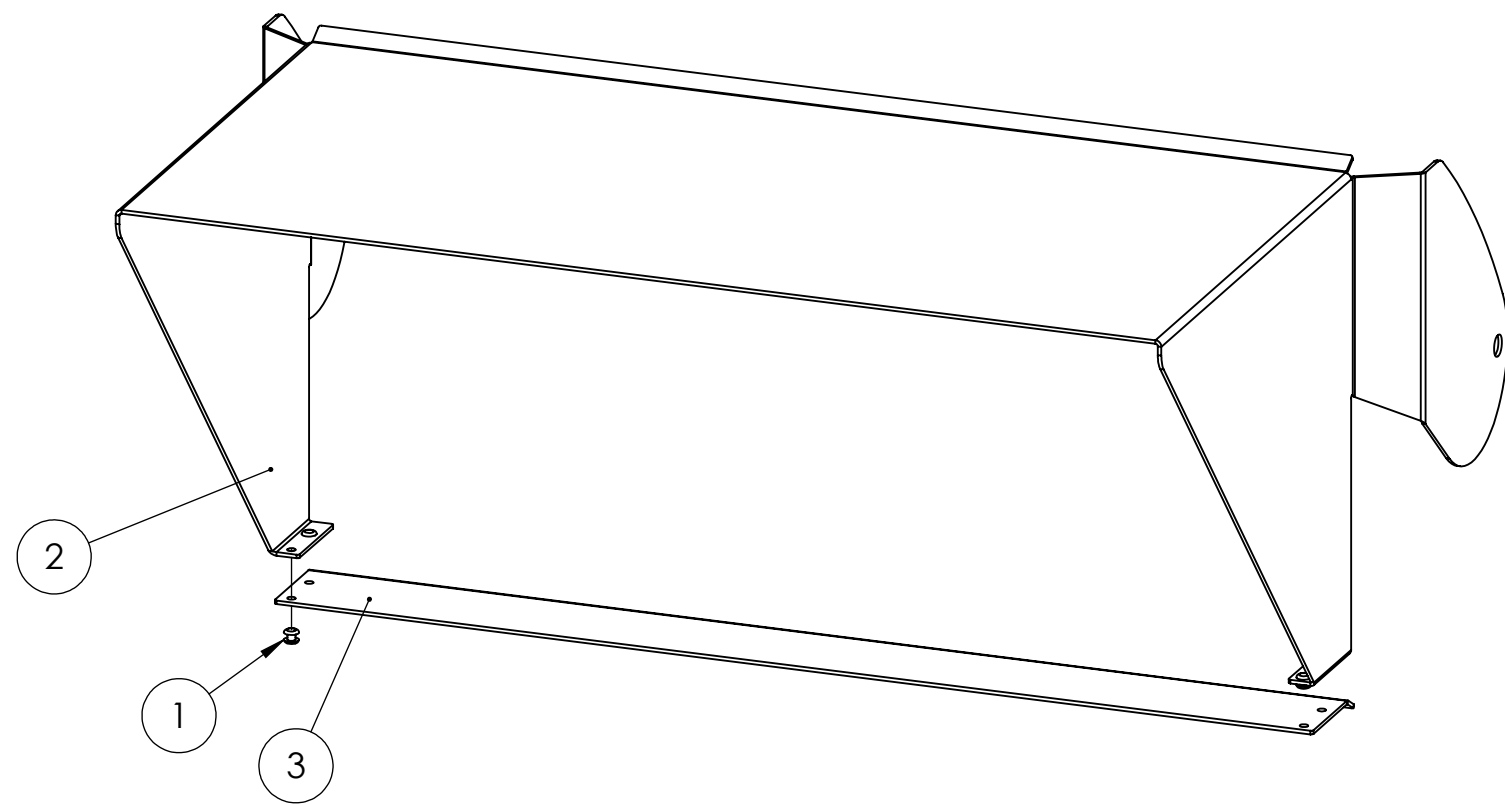
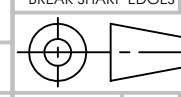



REVISIONS				
REV.	DESCRIPTION	ECO	DATE	CHANGED BY
A	Created	N/A	11-07-2018	RER



ITEM NO.	PART NUMBER	DESCRIPTION	QTY.
1	06220102-A	Dome head blind rivet, 3,2x6, DIN 7337 A	4
2	17000578-A	Plate, Anti glare shield - half, Medium - Top	1
3	17000579-A	Plate, Anti glare shield - half, Medium - Bottom	1

<b>Tolerances according to ISO 2768-1: M</b> <table border="1"> <thead> <tr> <th>Nominal size</th> <th>Permissible deviations</th> </tr> </thead> <tbody> <tr> <td>0.5</td> <td>±0.1</td> </tr> <tr> <td>up to 3</td> <td>±0.1</td> </tr> <tr> <td>over 3</td> <td>±0.1</td> </tr> <tr> <td>up to 6</td> <td>±0.1</td> </tr> <tr> <td>over 6</td> <td>±0.2</td> </tr> <tr> <td>up to 30</td> <td>±0.2</td> </tr> <tr> <td>over 30</td> <td>±0.3</td> </tr> <tr> <td>up to 120</td> <td>±0.3</td> </tr> <tr> <td>over 120</td> <td>±0.5</td> </tr> <tr> <td>up to 400</td> <td>±0.5</td> </tr> <tr> <td>over 400</td> <td>±0.8</td> </tr> <tr> <td>up to 1000</td> <td>±0.8</td> </tr> <tr> <td>over 1000</td> <td>±1.2</td> </tr> <tr> <td>up to 2000</td> <td>±1.2</td> </tr> </tbody> </table>	Nominal size	Permissible deviations	0.5	±0.1	up to 3	±0.1	over 3	±0.1	up to 6	±0.1	over 6	±0.2	up to 30	±0.2	over 30	±0.3	up to 120	±0.3	over 120	±0.5	up to 400	±0.5	over 400	±0.8	up to 1000	±0.8	over 1000	±1.2	up to 2000	±1.2	DEBUR AND BREAK SHARP EDGES 	DO NOT SCALE DRAWING All Dimensions are in mm		PAPER SIZE: A2
	Nominal size	Permissible deviations																																
0.5	±0.1																																	
up to 3	±0.1																																	
over 3	±0.1																																	
up to 6	±0.1																																	
over 6	±0.2																																	
up to 30	±0.2																																	
over 30	±0.3																																	
up to 120	±0.3																																	
over 120	±0.5																																	
up to 400	±0.5																																	
over 400	±0.8																																	
up to 1000	±0.8																																	
over 1000	±1.2																																	
up to 2000	±1.2																																	
NAME: _____ DATE: _____ TITLE: _____ Created By: RER Monday, 9 October 2017 08:55:25 Last saved By: rer Wednesday, 14 November 2018 16:13:44 FINISH: Oxylan + Powdercoating MATERIAL: N/A WEIGHT: 796.76	Half Anti-Glare Shield, Medium <b>63061178-A</b> DWG NO. _____ SCALE:1:3 SHEET 1 OF 1																																	